



## WP Quad PAR - LED

Consisting of 12 QUAD-COLOUR RGBW- 8Watt LEDs this fixture can cover a large range of the colour spectrum including quality pastels, whites warm and cool. With a total 96Watts of LED power this new unit has more than enough output to suit any element

Beam width is ideal, at 25degree, with control available via DMX, Static colour or Auto modes. Versatility and flexibility of use with this unit is assured.

Made of robust moulded aluminium, these new 'PARS' are stronger and longer lasting than the previous PAR64 / 56 type variants.



### Physical

---

Size of Unit	260 x 290 x 100mm
Item Weight	3.2kg
Quantity in Case	8
Cased Weight	95kg
Size of Case	1090 x 570 x 610mm

### Electrical

---

Rated Power	104 watt
Input Power	100-240v AC 50/60hz
Power Connection	PowerCon TRUE 1 TOP

### Mounting Options

---

Hanging Type	Yoke / Trigger Clamp
Freestanding	Yes double yoke
Expo LX	Yes

### Optical

---

Light Source	12 x 8w quad-colour RGBW LED chip
Beam Angle	25° conical
Colour Temperature	6600k
CRI	75
Light Output 2m	4569
Light Output 4m	1230
Light Output 6m	569

## Control

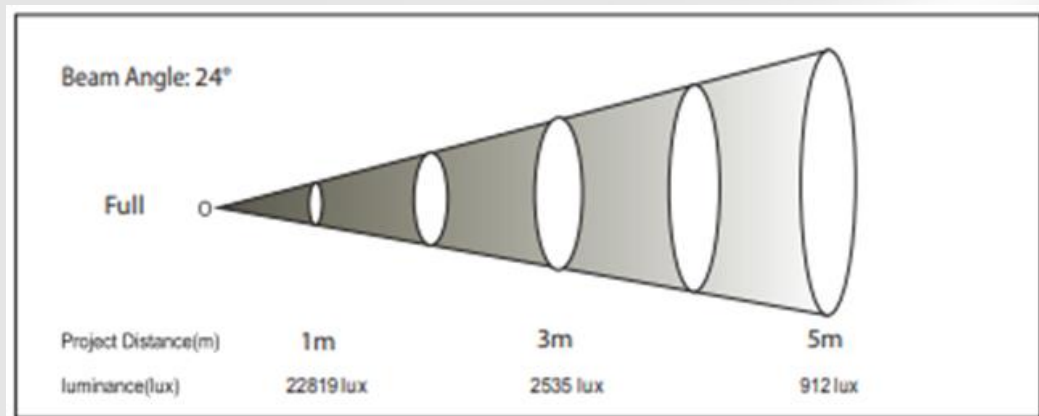
---

Control Method	DMX / Auto / Stand alone / Inbuilt Macro
DMX Mode	4 / 5 / 10ch
DMX Channel List	-
DMX Connection Types	5pin DMX

## Compatibility

---

- Waterproof wash light, parcan replacement
- Good for Garden lighting, tree uplighting
- Wash light for general room wash



## Information Links

---

Manufacture Link [WP Quad PAR LED](#)

Data Sheet [Spec Sheet](#)

Data Sheet [Photometry Report](#)

## Report of Photometry & Chromaticity for Light Source

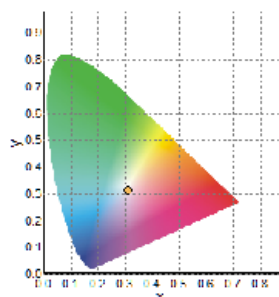


### Product Description

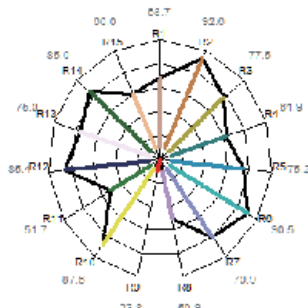
Product Name	WP Quad Par RGBW LED	
Sample Number		
Date(YYYY/MM/DD)	2020/5/6 12:27:28	
Manufacturer	Pro Shop Showtech	
Tester	HTH	
Temperature(°C)	20	Re. Humidity(%)
Reviewer		

### Photometry and Chromaticity

CIE_x	0.3126	Duv	-0.0060
CIE_y	0.3115	$\lambda_d$ (nm)	476.0
CIE_u'	0.2045	Purity(%)	9
CIE_v'	0.4586	FWHM(nm)	26
CCT(K)	6666	SP ratio	2.49
Illuminance(lx)	4569	PPFD( $\mu\text{mol}/\text{m}^2\text{s}$ )	75.9
$\lambda_p$ (nm)	451	CRI(Ra)	75
TLCI(Qa)	73.6	GAI	124.4
GAI BB8	126	GAI BB15	124
TM-30 Rf	82	TM-30 Rg	114



CIE1931 Chromaticity Diagram



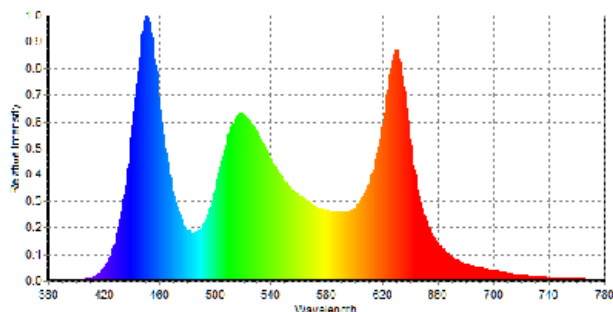
Radar Diagram of CRI

CQS-Qa	88	Re(thru R1~R15)	68
R1	68.7	R6	90.5
R2	92.6	R7	79.9
R3	77.5	R8	50.9
R4	61.9	R9	-23.8
R5	75.2	R10	87.6
		R11	51.7
		R12	85.4
		R13	75.0
		R14	85.0
		R15	60.0

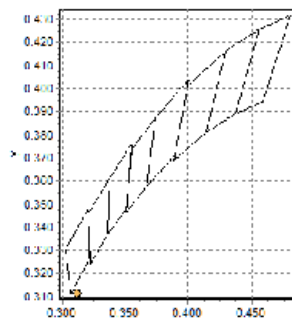
Flicker Frequency(Hz)

Flicker %

Flicker Index



Spectral Distribution



C78.377-2008